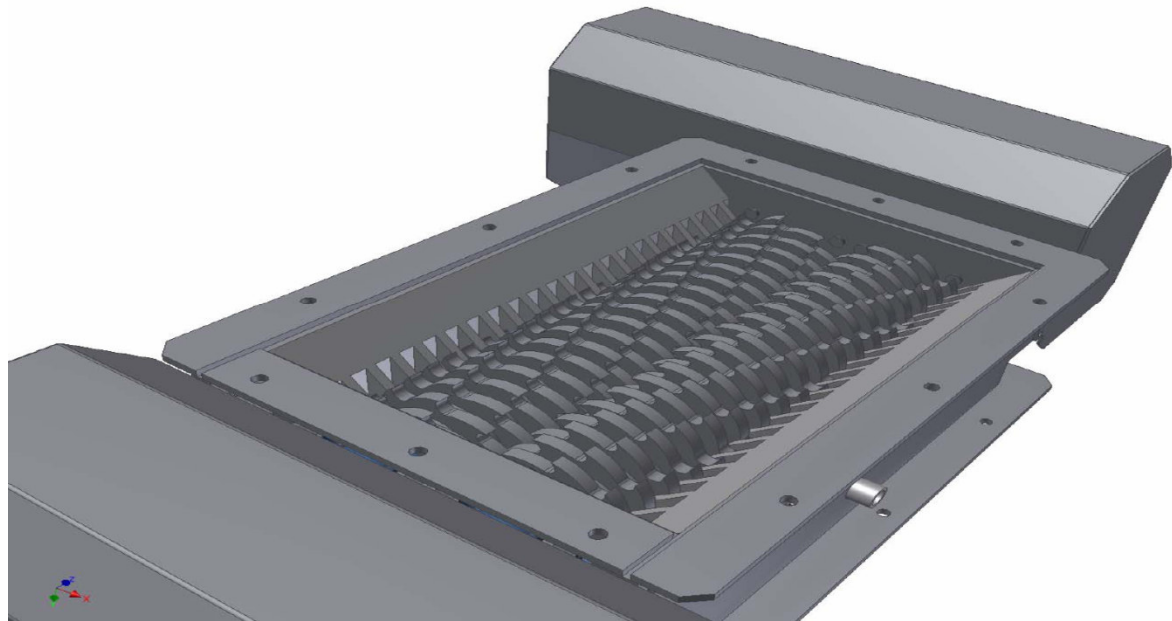


Grinder GS150

STEETE

Highlights

- Energy friendly
- High efficiency
- Robust
- Requires less space
- Hygienic design
- Aisi 304 or Aisi 316



References from Fish Industri

Developed 2008

Customer	Models
Havsterk	GS150-500
Vikenco	GS150-300
Havsterk	GS150-500
Nordlaks	GS150-500
Kristoffersen Egil&Sønner	GS150-300
Havsterk	GS150-500
Kraftsmolt	GS150-500
Marin Harvest Norway	GS150-500
Kvarøy Fiskeoppdrett	GS150-500
Havforskningsinstituttet	GS150-300
Havsterk	GS150-500
Marin Harvest Norway	GS150-500
Selsøyvik Havbruk AS	GS150-500
Marin Harvest Norway	GS150-500
Bolstad Fjordbruk	GS150-600
Nordskag Næringspark	GS150-500
Marin Harvest Norway	GS150-600
Havsterk	GS150-500
Nordskag Næringspark(Salmar)	GS150-600
Bremnes Seashore	GS150-500
Marin Harvest Norway	GS150-500
Marin Harvest Norway	GS150-500
Marin Harvest Norway	GS150-500
Aqua Gen	GS150-500
Sinka-Berg Hansen	GS150-600

References Potatoes

Hoff Norsk Potetindustri

GS150-500

Developed 2008

Grinder GS150

STEET

Developed and produced near Ålesund
Close relationship to customers
Development according to increased demands



Grinder GS150

STEETE

Built with quality components

Easy to use

Energy friendly

Maintenance friendly

CE-code



Stette GS150

Design for potatoes:

- Different material in frame and knives: Aisi 316
- Different thickness on knives: 8 mm
- Different number of toots : Double

Stette GS150

Design for potatoes:

- Different material in frame and knives: Aisi 316
- Different thickness on knives: 8 mm
- Different number of toots : Double